

# MICRO SWITCH

A DIVISION OF MINNEAPOLIS-HONEYWELL REGULATORS COMPANY  
MINNEAPOLIS, MINN.

FED. MFR. CODE 91929

## SWITCH - BASIC

CATALOG LISTING

**BE-2RV-A4**

**BE-2RV-A4**

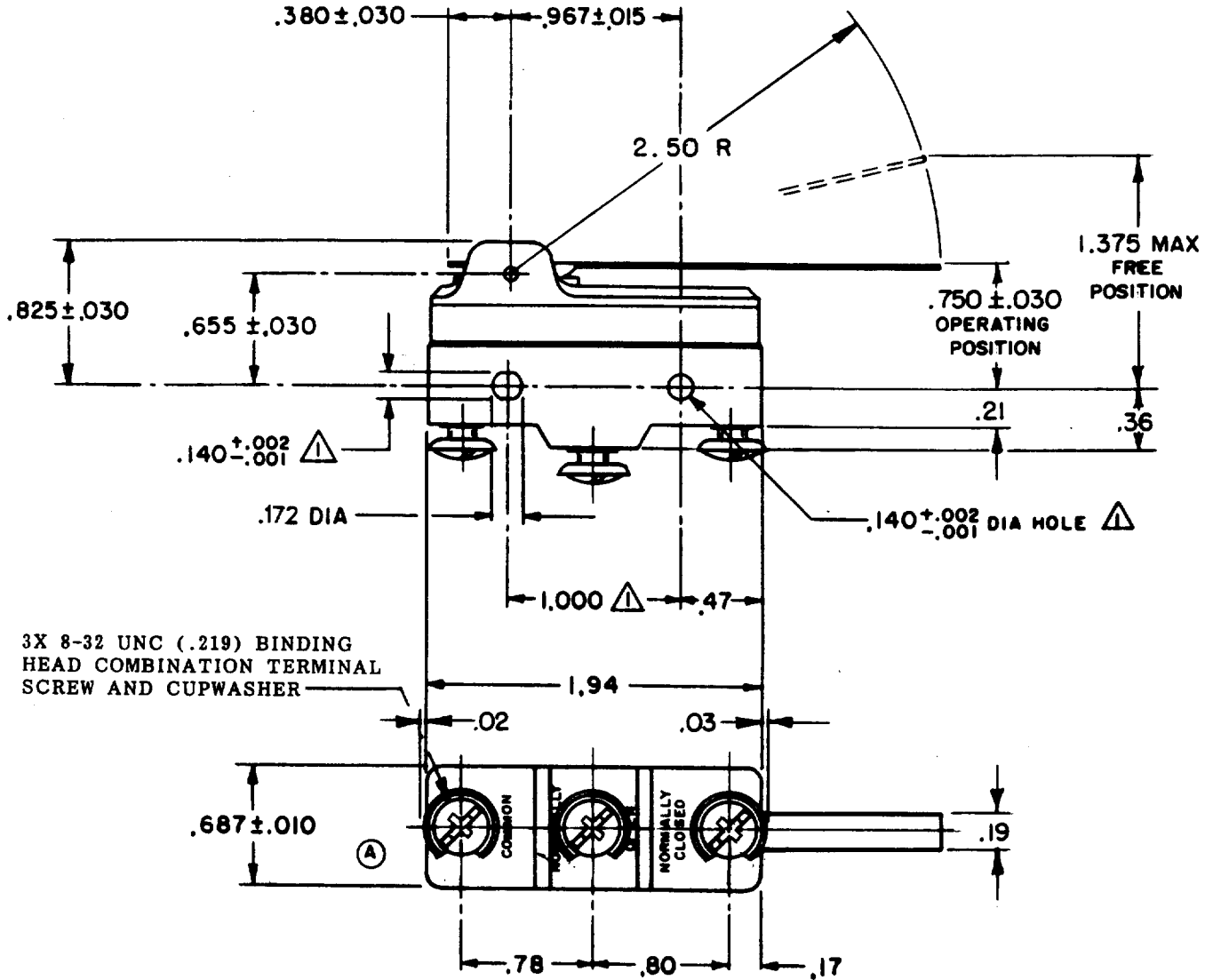
**M**

DRAWING NUMBER

8 9

ISSUE

RELEASE NO. S R 10731



3X 8-32 UNC (.219) BINDING HEAD COMBINATION TERMINAL SCREW AND CUPWASHER

**NOTE -**

**△** - MOUNTING HOLES WILL ACCEPT PINS OR SCREWS OF .139 MAX DIA ON 1.000 ± .002 CENTERS

THIS DRAWING COVERS A PROPRIETARY ITEM AND IS THE PROPERTY OF MICRO SWITCH, A DIVISION OF MINNEAPOLIS-HONEYWELL REGULATORS CO. THIS DRAWING IS NOT TO BE COPIED OR USED WITHOUT THE APPROVAL OF MICRO SWITCH.

CHARACTERISTICS	ELECTRICAL DATA	SCALE FULL
OPERATING FORCE ----- 2 1/2 OZ MAX	CONTACT ARRANGEMENT S P D T	DO NOT SCALE PRINT
RELEASE FORCE ----- 1/2 OZ MIN	25-A-125, 250, 480 VAC 1 HP-125 VAC; 2 HP-250 OR 480 VAC; PILOT DUTY 750 VA-480 VAC, MAX; 60/75°C (Cu)	UNLESS OTHERWISE SPECIFIED DIMENSIONS ARE IN INCHES
PRETRAVEL ----- .625 MAX		<b>TOLERANCES ARE:</b>
DIFFERENTIAL TRAVEL ----- .109 MAX		ONE PLACE (.0) ±.000
OVERTRAVEL ----- .078 MIN		TWO PLACE (.00) ±.015
		THREE PLACE (.000) ±.005
		ANGLES ±
		WEIGHT



REVISIONS

A	CO 16851	M B F	18 DEC 62
B	SR 10731	M B F	14 JAN 63
C	CO 30432	R E R	9 MAY 72
D	CO 32144	C O	27 JUL 73
E	CO 36927	C J H	6 APR 76
F	CO 58782	W J M	24 JAN 86
G	CO 73287-G	J A L	20 OCT 93
H	CO 77588	K D R	29 MAR 94

GCH 11 APR 62

CHECK

DRAWN

K L B II APR 62

O-50378